



---

# PWMPAL (#28020)

## PWM Generation, Control, and Background Counting

### Introduction

The PWMPAL is an intelligent peripheral that adds up to four PWM output channels and up to four control/counter input channels to the 24-pin versions of the BASIC Stamp<sup>®</sup> microcontroller. PWM channels can be configured to operate under software control, or under hardware control through the corresponding counter input channel. In addition to PWM waveform generation, the PWMPAL has four 16-bit counters that operate at all times, even when the counter pin is used for hardware PWM control. Communication with the PWMPAL is handled through a bi-directional serial connection on pin P0 of the microcontroller module. The Parallax AppMod communications protocol is used, allowing baud rates of 9600, 19,200 and 38,400 baud.

Examples of PWMPAL Uses:

- Servo or DC motor control for robotics and animatronics
- AC waveform (square wave) generation for bi-color LEDs and sensors
- Background counting for process control, robotic motion monitoring, etc.

### Packing List

Verify that your PWMPAL kit is complete in accordance with the list below:

- PWMPAL "Smart Socket" module
- Documentation

Note: PWMPAL demonstration software files may be downloaded from [www.parallax.com](http://www.parallax.com).

### Features

- Up to four simultaneous PWM outputs
- Independent control of each PWM output high-time, low-time, and phase
- Generate frequencies from 0.3 Hz to 20 kHz; duty cycle independent \*
- Outputs may operate under software or hardware control
- Up to four 16-bit counters
- Auto-baud detection (9600, 19.2K, 38.4K) for Host-to-PWMPAL communications
- Requires no PCB "real estate" – mounts underneath microcontroller module

\* Duty cycle independence is not available for the entire range of output frequencies

## Connections

Since the PWMPAL mounts directly beneath a 24-pin microcontroller module, the connections are automatic. Before installing the PWMPAL, you should perform the following steps:

1. Clear the current BASIC Stamp microcontroller program to ensure that all pins are set to inputs. The simplest program to do this contains just one statement:

**END**

2. Disconnect power from the BASIC Stamp microcontroller circuit.
3. Remove the BASIC Stamp microcontroller from its socket.
4. Install the PWMPAL in the 24-pin socket, noting the position of pin 1 (marked with dot).
5. Install the BASIC Stamp microcontroller in the PWMPAL socket.
6. Reconnect power to the circuit and program the BASIC Stamp microcontroller as desired.

The table below lists the PWMPAL / BASIC Stamp pin sharing connections:

Pin	PWMPAL Function	Dedicated
P0	Serial link between BASIC Stamp / PWMPAL	Yes
P8	Counter 1 input / Motor 1 HW control	No
P9	Counter 2 input / Motor 2 HW control	No
P10	Counter 3 input / Motor 3 HW control	No
P11	Counter 4 input / Motor 4 HW control	No
P12	Motor 1 output	No
P13	Motor 2 output	No
P14	Motor 3 output	No
P15	Motor 4 output	No

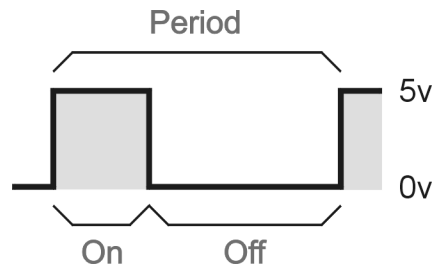
As noted in the table above, the only pin dedicated to the PWMPAL is P0. This pin serves as the serial link between the PWMPAL and host microcontroller. The PWMPAL pins connected to pins P8 – P11 are always configured as inputs, so there is no conflict and the host may use P8 – P11 as inputs or outputs as the program requires. For pins P12 – P15 the programmer must use caution to prevent conflict between the host and the PWMPAL.

*Note: The PWMPAL module has current-limiting resistors on its motor output lines to prevent a conflict from damaging either the PWMPAL or the host microcontroller. Still, the programmer should exercise caution. When any of the PWMPAL motor control outputs are enabled the associated host pin(s) should be set to input mode.*

## How It Works

Using a small coprocessor, the PWMPAL receives serial commands from the host microcontroller, then configures and controls the PWMPAL I/O pins as directed. The PWMPAL "motor" control outputs will be a TTL level square wave. The frequency and period of this waveform is determined by control values sent to the PWMPAL from the host. Figure 1 shows the PWM output waveform.

**Figure 1 – PWM Output**



The PWMPAL gives the program control of the on- and off-time values, hence giving control of the output frequency and duty cycle. In the PWMPAL, the on and off times are specified with 16-bit values in units of 25 microseconds (0.000025 seconds). Using the formula:

$$\text{Frequency} = 1 / \text{Period}$$

the minimum and maximum output frequencies of the PWMPAL can be calculated. Given the minimum and maximum values for on- and off-time:

$$\text{Frequency (max)} = 1 / ((1 \times 0.000025) + (1 \times 0.000025)) \Rightarrow 1 / 0.00005 = 20,000 \text{ Hz}$$

$$\text{Frequency (min)} = 1 / ((65535 \times 0.000025) + (65535 \times 0.000025)) \Rightarrow 1 / 3.27675 = 0.30518 \text{ Hz}$$

*Duty Cycle* describes the relationship between the on-time and the total period in terms of percent. With full control of the on- and off-time values, the programmer can set the frequency and duty cycle as required. If, for example, the desired PWM output was 1000 Hz with duty cycle of 40%, the following steps would be used to calculate the on-time and off-time values:

1. Determine the waveform period (1 / Frequency):

$$1 / 1000 = 0.001$$

2. Determine the PWMPAL units in the period:

$$0.001 / 0.000025 = 40$$

3. For the on-time, multiply the total period units by the desired duty cycle:

$$40 \times 0.4 = 16$$

4. For the off-time, subtract the on-time units from the total period units:

$$40 - 16 = 24$$

See the following sections for specifics on sending PWM on- and off-time values to the PWMPAL.

## PWMPAL Commands

All PWMPAL commands (except ID, see below) follow the Parallax AppMod serial protocol and will begin with the string:

"!PWM"

The "!" is used for synchronization and baud rate detection; the "PWM" identifies the device type. What follows will generally be a command letter and unit identifier.

### "ID" Request PWMPAL ID String

Use: `SEROUT 0, baud, ["!ID]`  
`SERIN 0, baud, [STR version\3]`

*baud* variable or constant value for 9600, 19.2K, or 38.4K baud (*host-dependent value*)  
*version* 3-byte array to hold version string

The "!ID" command requests the PWMPAL ID string (three ASCII characters). Note that this command does not follow the standard AppMod protocol by specifying the device type in the command string, so it should NOT be used on the same serial connection as other AppMod devices.

### "Mn" Set PWM Motor Timing Control Values

Use: `SEROUT 0, baud, ["!PWMMx", tOn.BYTE0, tOn.BYTE1, tOff.BYTE0, tOff.BYTE1]`

*baud* variable or constant value for 9600, 19.2K, or 38.4K baud  
*n* "1" to "4" – specifying the PWMPAL output channel (P12 – P15)  
*tOn* variable or constant for on-time; in 25 microsecond units  
*tOff* variable or constant for off-time; in 25 microsecond units

The "Mn" command sets the on- and off-time values for a specified PWM channel. Note that the 16-bit on- and off-time values must be transmitted as bytes, low-byte first.

Example (*Baudmode value for BS2 microcontroller*):

```
SEROUT 0, 6, ["!PWMM1", 2, 0, 6, 0]
```

The example above configures PWM channel 1 (P12) to have an output frequency of 5000 Hz with a duty cycle of 25%.

It is important to note that setting the on- and off-time values does not enable the PWM output channel if it was previously disabled. This is handled separately through the Set Status command (see below). Finally, there is a special-case use of the "Mn" command: "M0". For example:

```
SEROUT 0, 6, ["!PWMM0"]
```

The purpose of this command is to disable all PWM output channels; returning all to a Hi-Z state.

## "SS" Set Motor Control/Status Byte

Use: `SEROUT 0, baud, ["!PWMSS", status]`

*baud* variable or constant value for 9600, 19.2K, or 38.4K baud  
*status* variable or constant value; PWMPAL status bits (see table below)

The "SS" command sets the control/status byte to the PWMPAL. The purpose of this byte is to enable or disable PWMPAL channel outputs and to set the type of control (software or hardware). The low nibble of the control/status byte holds the control bits; the upper nibble holds the output PWM channel enable bits.

### Control/Status Byte Definitions:

Bit	Purpose	When 0	When 1
0	M1 Control	Software control	Hardware control (P8)
1	M2 Control	Software control	Hardware control (P9)
2	M3 Control	Software control	Hardware control (P10)
3	M4 Control	Software control	Hardware control (P11)
4	M1 Status	Disabled	Enabled *
5	M2 Status	Disabled	Enabled *
6	M3 Status	Disabled	Enabled *
7	M4 Status	Disabled	Enabled *

\* When a PWM channel is enabled and set for hardware control, the associated hardware control input pin must be high before the PWM output will be active.

Example:

```
SEROUT 0, 6, ["!PWMSS", %00010000]
```

The example above enables PWM output channel 1 (P12). The PWM output will begin immediately with the frequency and duty cycle as set with the "Mn" command. To change the output to hardware control, send the following:

```
SEROUT 0, 6, ["!PWMSS", %00010001]
```

Now the PWM output channel 1 (P12) will only be active when control channel 1 (P8) is high.

## "GS" Get Motor Control/Status Byte

Use: `SEROUT 0, baud, ["!PWMGS"]`

*baud* variable or constant value for 9600, 19.2K, or 38.4K baud

The "GS" command will cause the PWMPAL to return the current control/status byte. After sending this command the BASIC Stamp must use SERIN to retrieve the control/status byte.

Example:

```
SEROUT 0, 6, ["!PWMGS"]  
SERIN 0, 6, [status]
```

## "SP" Set Counter Enable/Motor Phase Byte

Use: `SEROUT 0, baud, ["!PWMSP", phase]`

*baud* variable or constant value for 9600, 19.2K, or 38.4K baud  
*phase* variable or constant value; PWMPAL counter/phase bits

The "SP" command transmits the counter/phase byte to the PWMPAL. The purpose of this byte is to enable or disable PWMPAL counter channels and to set the phase of the PWM channels. (start low or start high). The lower nibble the counter/phase byte holds the counter enable bits; the upper nibble holds the output PWM channel phase bits.

### Counter/Phase Byte Bit Definitions:

Bit	Purpose	When 0	When 1
0	C1 Control	Disabled	Enabled *
1	C2 Control	Disabled	Enabled *
2	C3 Control	Disabled	Enabled *
3	C4 Control	Disabled	Enabled *
4	M1 Phase	Output starts low	Output starts high
5	M2 Phase	Output starts low	Output starts high
6	M3 Phase	Output starts low	Output starts high
7	M4 Phase	Output starts low	Output starts high

\* Counters inputs may also be used as motor control inputs. In this application, the PWMPAL will count the number of times the PWM output was enabled (input = High).

Example:

```
SEROUT 0, 6, ["!PWMM3", $4D, $01, $4D, $01] ' 60 Hz, 50% DC
SEROUT 0, 6, ["!PWMM4", $4D, $01, $4D, $01] ' 60 Hz, 50% DC
SEROUT 0, 6, ["!PWMSP", %10000001] ' set phase, counter 1 enabled
SEROUT 0, 6, ["!PWMSS", %11000000] ' enable PWM outputs
```

This example sets PWM channels 3 (P14) and 4 (P15) to a 60 Hz, 50% duty-cycle output of opposite phase (P14 is high when P15 is low and vice-versa). Counter channel 1 is also enabled (line 3 of the code). Finally, the outputs are enabled under software control.

## "GP" Get Counter Enable/Motor Phase Byte

Use: `SEROUT 0, baud, ["!PWMGP"]`

*baud* variable or constant value for 9600, 19.2K or 38.4K baud

The "GP" command will cause the PWMPAL to return the current counter enable/motor phase byte. After sending this command the BASIC Stamp must use SERIN to retrieve the counter/phase byte.

Example:

```
SEROUT 0, 6, ["!PWMGP"]
SERIN 0, 6, [phase]
```

## "Cn" Get Counter Value

Use: `SEROUT 0, baud, ["!PWMCn"]`

*baud* variable or constant value for 9600, 19.2K, or 38.4K baud  
*n* "1" to "4" – specifying the PWMPAL counter channel (P8 – P11)

The "Cn" command will cause the PWMPAL to return the current value of the specified counter channel. After sending this command the BASIC Stamp must use SERIN to retrieve the counter data.

Example:

```
SEROUT 0, 6, ["!PWMC1"]           ' get counter 1
SERIN 0, 6, [cntrl.LOWBYTE, cntrl.HIGHBYTE] ' receive value
```

By using "C0" the value of all counters will be returned. The SERIN function must be setup to receive eight bytes when "C0" is used.

## "Xn" Clear Counter Value

Use: `SEROUT 0, baud, ["!PWXn"]`

*baud* variable or constant value for 9600, 19.2K, or 38.4K baud  
*n* "1" to "4" – specifying the PWMPAL counter channel (P8 – P11)

The "Xn" command will cause the PWMPAL to clear (reset to zero) the specified counter channel value.

Example:

```
SEROUT 0, 6, ["!PWX1"]           ' clear counter 1
```

By using "X0" the value of all counters will be reset to zero.

## Programming the PWMPAL

The examples that follow will demonstrate how easy the PWMPAL is to program. The programmer must keep in mind, however, that using BASIC Stamp microcontroller pins P12 – P15 as outputs should be done with extreme caution as there could be a conflict with the PWMPAL that leads to unpredictable results. Design your code carefully so that PWMPAL outputs do not conflict with host outputs on these pins.

## Example 1 – PWMPAL Programming Template

For advanced programs a template is often useful to keep organized and prevent errors. This template file contains useful constant and variable values for programs that utilize the PWMPAL. Conditional compilation definitions allow this program to work properly with all BS2-family modules.

```
' =====
'
' File..... PWMPAL_Template.BS2
' Purpose.... Template for PWMPAL Programs
' Author..... Parallax
' E-mail..... support@parallax.com
' Started....
' Updated.... 09 FEB 2005
'
'   {$STAMP BS2}
'   {$PBASIC 2.5}
' =====

' -----[ Program Description ]-----

' -----[ Revision History ]-----

' -----[ I/O Definitions ]-----

PpPin          PIN      0          ' PWMPAL Serial I/O

' -----[ Constants ]-----

#SELECT $STAMP
#CASE BS2, BS2E, BS2PE
    T9600      CON      84
    T19K2      CON      32
    T38K4      CON      6
#CASE BS2SX, BS2P
    T9600      CON      240
    T19K2      CON      110
    T38K4      CON      45
#ENDSELECT

PpBaud         CON      T38K

' -----[ Variables ]-----

chan           VAR      Nib          ' channel number
status        VAR      Byte         ' control/status
phase         VAR      Byte         ' counters/phase

onTime        VAR      Word         ' work variable
offTime       VAR      Word         ' work variable
counter       VAR      Word         ' work variable
```



```

m1Ctrl      VAR      status.BIT0      ' status bits
m2Ctrl      VAR      status.BIT1
m3Ctrl      VAR      status.BIT2
m4Ctrl      VAR      status.BIT3
m1Enable    VAR      status.BIT4
m2Enable    VAR      status.BIT5
m3Enable    VAR      status.BIT6
m4Enable    VAR      status.BIT7

c1Enable    VAR      phase.BIT0      ' phase bits
c2Enable    VAR      phase.BIT1
c3Enable    VAR      phase.BIT2
c4Enable    VAR      phase.BIT3
m1Phase     VAR      phase.BIT4
m2Phase     VAR      phase.BIT5
m3Phase     VAR      phase.BIT6
m4Phase     VAR      phase.BIT7

' -----[ EEPROM Data ]-----

' -----[ Initialization ]-----

Setup:

' -----[ Program Code ]-----

Main:

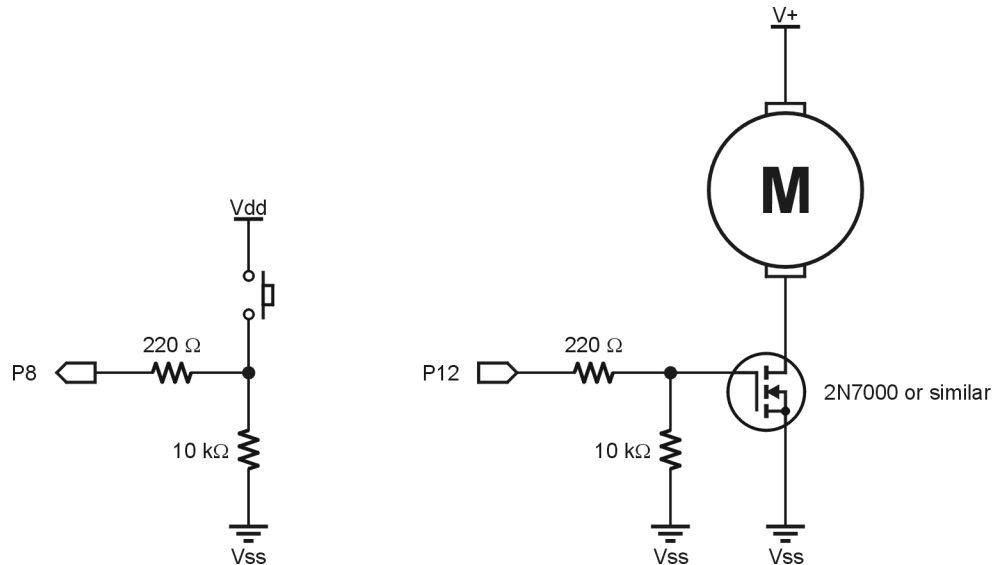
    END

' -----[ Subroutines ]-----

```

## Example 2 – PWM Output with Hardware Control

This example uses an active-high pushbutton circuit to control a DC motor connected to the PWM channel specified by the *MotorNum* constant. When the switch is pressed, the motor speed will ramp from 25% (minimum speed to get test motor moving) to 100% (full speed). When the switch is released the motor will stop – without having to send a new speed value to the PWM channel. This program shows how the BASIC Stamp microcontroller can monitor and use the control inputs.



```

' =====
'
' File..... PWPAL_Simple_Motor.BS2
' Purpose.... Simple DC motor control - with hardware input control
' Author..... Parallax
' E-mail..... support@parallax.com
' Started....
' Updated.... 09 FEB 2005
'
' {$STAMP BS2}
' {$PBASIC 2.5}
' =====

' -----[ Program Description ]-----

' Demonstrates simple DC motor control with the PWPAL.

' NOTE: Do NOT connect a DC motor directly to the PWPAL / micro. You
' must use a buffer (transistor, MOSFET, etc.) to switch the current
' required by the motor.

' -----[ I/O Definitions ]-----

PpPin          PIN      0          ' PWPAL Serial I/O
SpdCtrl        PIN      8          ' speed button

```

```

' -----[ Constants ]-----
MotorNum          CON      1          ' PWMPAL motor output
#SELECT $STAMP
#CASE BS2, BS2E, BS2PE
    T9600          CON      84
    T19K2          CON      32
    T38K4          CON      6
#CASE BS2SX, BS2P
    T9600          CON      240
    T19K2          CON      110
    T38K4          CON      45
#ENDSELECT
PpBaud           CON      T38K
Yes              CON      1
MinSpeed         CON      25          ' minimum DC to spin motor

' -----[ Variables ]-----
speed            VAR      Byte        ' speed, 0% to 100%
status          VAR      Byte        ' motor control status

onTime          VAR      Word        ' PWM timing
offTime         VAR      Word

' -----[ Program Code ]-----
Main:
DO
    IF (SpdCtrl = Yes) THEN          ' button pressed
        IF (speed < 100) THEN        ' can we speed up?
            speed = speed + 1 MIN MinSpeed  ' increase speed
            GOSUB Set_Speed          ' update PWMPAL
        ENDIF
    ELSE
        speed = 0
    ENDIF
    DEBUG HOME, "Speed = ", DEC speed, CLREOL  ' show current speed
    PAUSE 100                          ' speed ramp delay
LOOP

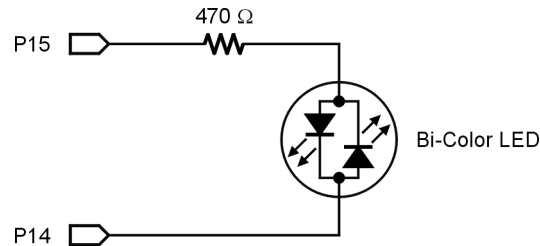
' -----[ Subroutines ]-----
Set_Speed:
    IF (speed = 100) THEN
        onTime = $FFFF                ' full on for 100%
        offTime = $0001
    ELSE
        onTime = speed                ' set duty cycle
        offTime = 100 - speed
    ENDIF

```

```
SEROUT PpPin, PpBaud, ["!PWMM", (48 + MotorNum),  
                    onTime.BYTE0, onTime.BYTE1,  
                    offTime.BYTE0, offTime.BYTE1]  
  
status.HIGHNIB = %0001 << (MotorNum - 1)    ' set enable bit  
status.LOWNIB = %0001 << (MotorNum - 1)    ' set control bit  
SEROUT PpPin, PpBaud, ["!PWMSS", status]  
  
RETURN
```

### Example 3 – TTL "AC" Waveform Generation

This example converts a bi-color (green / red) LED to a tri-color (green / yellow / red) LED by modulating the LED with an AC waveform such that the switch back-and-forth between red and green makes the LED appear yellow. The LED should be connected so that the green side lights when PWM channel 3 (P14) is high.



Notice that due to the differences between relative [perceived] brightness of the green and red LEDs, the AC waveform is set such that the duty cycle favors the green LED.

```
' =====
'
'   File..... PWMPAL_TriColor_LED.BS2
'   Purpose.... Tri-Color LED control with the PWMPAL
'   Author..... Parallax
'   E-mail..... support@parallax.com
'   Started....
'   Updated.... 09 FEB 2005
'
'   {$STAMP BS2}
'   {$PBASIC 2.5}
'
' =====

' -----[ I/O Definitions ]-----
PpPin          PIN      0                ' PWMPAL Serial I/O

' -----[ Constants ]-----

#SELECT $STAMP
#CASE BS2, BS2E, BS2PE
  T9600        CON      84
  T19K2        CON      32
  T38K4        CON       6
#CASE BS2SX, BS2P
  T9600        CON     240
  T19K2        CON     110
  T38K4        CON      45
#ENDSELECT

PpBaud         CON      T38K

' -----[ Variables ]-----
```

```

state          VAR      Nib          ' LED state

' -----[ Program Code ]-----

Main:
DO
  FOR state = 0 TO 3
    ON state GOSUB Led_Off, Led_Green, Led_Yellow, Led_Red
    DEBUG HOME, DEC state, " : "
    SELECT state
      CASE 0 : DEBUG "Off", CLREOL
      CASE 1 : DEBUG "Green", CLREOL
      CASE 2 : DEBUG "Yellow", CLREOL
      CASE 3 : DEBUG "Red", CLREOL
    ENDSELECT
    PAUSE 1000
  NEXT
LOOP

END

' -----[ Subroutines ]-----

Led_Off:
  SEROUT PpPin, PpBaud, ["!PWMM0"]
  RETURN

Led_Green:
  SEROUT PpPin, PpBaud, ["!PWMM3", $FF, $FF, $01, $00]
  SEROUT PpPin, PpBaud, ["!PWMM4", $01, $00, $FF, $FF]
  SEROUT PpPin, PpBaud, ["!PWMSF", %01000000]
  SEROUT PpPin, PpBaud, ["!PWMSS", %11000000]
  RETURN

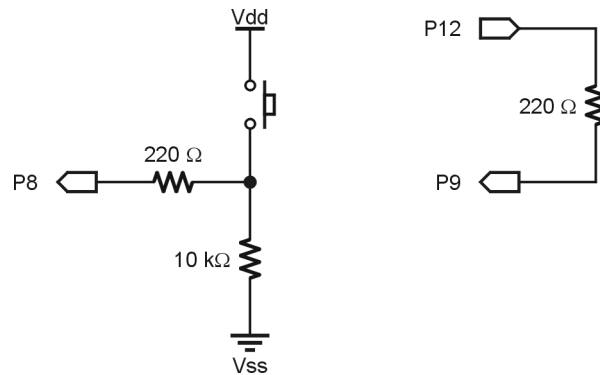
Led_Yellow:
  SEROUT PpPin, PpBaud, ["!PWMM3", $12, $00, $04, $00]
  SEROUT PpPin, PpBaud, ["!PWMM4", $04, $00, $12, $00]
  SEROUT PpPin, PpBaud, ["!PWMSF", %01000000]
  SEROUT PpPin, PpBaud, ["!PWMSS", %11000000]
  RETURN

Led_Red:
  SEROUT PpPin, PpBaud, ["!PWMM3", $01, $00, $FF, $FF]
  SEROUT PpPin, PpBaud, ["!PWMM4", $FF, $FF, $01, $00]
  SEROUT PpPin, PpBaud, ["!PWMSF", %10000000]
  SEROUT PpPin, PpBaud, ["!PWMSS", %11000000]
  RETURN

```

## Example 4 – Event Counting

This program demonstrates event counting while the BASIC Stamp is busy doing other things. PWM channel 1 is configured for 100 Hz under hardware control (when P8 is high). The PWM output (P12) is routed to the counter input pin for channel 2 (P9). When the program runs the control events (P8) and the PWM cycles will be counted and displayed onscreen.



```
' =====
'
' File..... PWMPAL_Counter.BS2
' Purpose.... Background Counter Demonstration
' Author..... Parallax
' E-mail..... support@parallax.com
' Started....
' Updated.... 09 FEB 2005
'
'   {$STAMP BS2}
'   {$PBASIC 2.5}
' =====

' -----[ Program Description ]-----
'
' Activate PWM output when P8 is high -- count control input (counter 1)
' and the PWM pulses (counter 2)

' -----[ I/O Definitions ]-----
PpPin          PIN      0          ' PWMPAL Serial I/O

' -----[ Constants ]-----

#SELECT $STAMP
#CASE BS2, BS2E, BS2PE
  T9600        CON      84
  T19K2        CON      32
  T38K4        CON      6
#CASE BS2SX, BS2P
  T9600        CON      240
  T19K2        CON      110
```

```

T38K4      CON      45
#ENDSELECT

PpBaud     CON      T38K

' -----[ Variables ]-----
cntr1      VAR      Word      ' counter for P8 (switch)
cntr2      VAR      Word      ' counter for P9 (PWM in)

' -----[ Initialization ]-----

Setup:
SEROUT PpPin, PpBaud, ["!PWMM1", $90, $01, $90, $01]
SEROUT PpPin, PpBaud, ["!PWMS", %00010001]
SEROUT PpPin, PpBaud, ["!PWMS", %00000011]
SEROUT PpPin, PpBaud, ["!PWMX0"]

DEBUG CLS,
      "Counter 1 : ", CR,
      "Counter 2 : "

' -----[ Program Code ]-----

Main:
DO
  ' get counter values
  SEROUT PpPin, PpBaud, ["!PWMC1"]
  SERIN  PpPin, PpBaud, [cntr1.BYTE0, cntr1.BYTE1]
  SEROUT PpPin, PpBaud, ["!PWMC2"]
  SERIN  PpPin, PpBaud, [cntr2.BYTE0, cntr2.BYTE1]

  ' show counter values
  DEBUG CRSRXY, 12, 0, DEC cntr1, CLREOL,
        CRSRXY, 12, 1, DEC cntr2, CLREOL

  PAUSE 1000      ' loop delay - Stamp busy
LOOP

END

```

## Other Examples

Be sure to check the Parallax web site for the latest updates to PWMPAL application notes and example programs.